

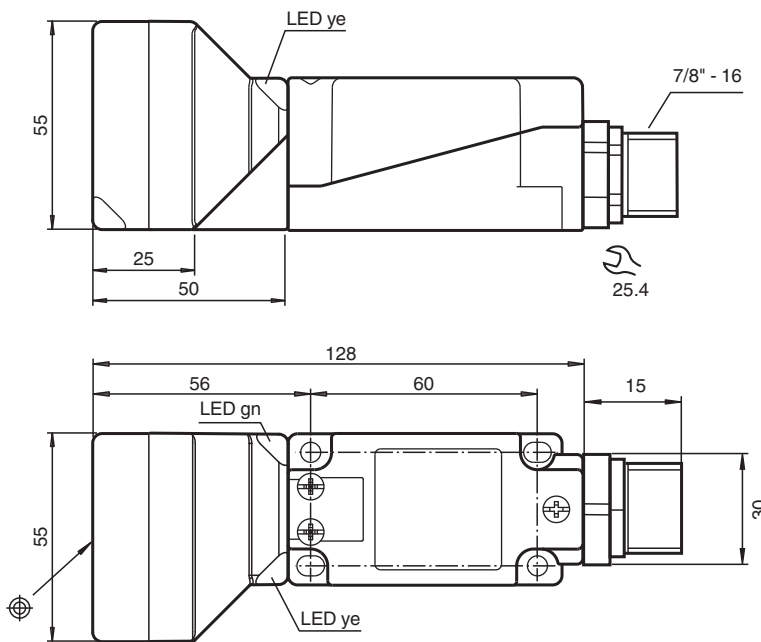
Inductive sensor

NBN40-U4L-US-V95P

- Sensor head bidirectional and rotatable
- Metal base with ground connection
- Normally Open Output



Dimensions



Technical Data

General specifications

| | | |
|----------------------------|-------|-------------------------|
| Switching function | | Normally open (NO) |
| Output type | | Two-wire |
| Rated operating distance | s_n | 40 mm |
| Installation | | non-flush |
| Output polarity | | AC/DC |
| Assured operating distance | s_a | 0 ... 32.4 mm |
| Actual operating distance | s_r | 36 ... 44 mm typ. 40 mm |
| Reduction factor r_{AI} | | 0.37 |
| Reduction factor r_{Cu} | | 0.3 |

Release date: 2022-05-19 Date of issue: 2022-05-19 Filename: 70116648_eng.pdf

Refer to "General Notes Relating to Pepperl+Fuchs Product Information".

Pepperl+Fuchs Group
www.pepperl-fuchs.com

USA: +1 330 486 0001
fa-info@us.pepperl-fuchs.com

Germany: +49 621 776 1111
fa-info@de.pepperl-fuchs.com

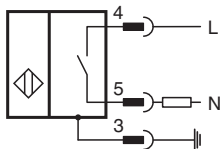
Singapore: +65 6779 9091
fa-info@sg.pepperl-fuchs.com

PF PEPPERL+FUCHS

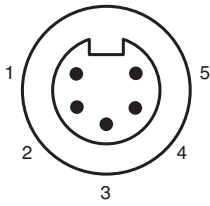
Technical Data

| | | |
|---|-----------|---|
| Reduction factor r_{304} | | 0.73 |
| Reduction factor r_{Fe} | | 1 |
| Reduction factor r_{Brass} | | 0.4 |
| Output type | | 2-wire |
| Nominal ratings | | |
| Switching frequency | f | 0 ... 25 Hz |
| Hysteresis | H | 1 ... 10 typ. 5 % |
| Reverse polarity protection | | reverse polarity tolerant |
| Short-circuit protection | | pulsing |
| Voltage drop | U_d | ≤ 5 V (typ. 2V) DC operation ≤ 8 V (typ. 2V) AC operation |
| Momentary current (20 ms, 0.1 Hz) | | 0 ... 3000 mA |
| Operating current | I_L | 5 ... 500 mA |
| Off-state current | I_r | ≤ 1.5 mA |
| Time delay before availability | t_v | ≤ 300 ms |
| Operating voltage indicator | | LED, green |
| Switching state indicator | | LED, yellow |
| Error indicator | | flashes when overcurrent |
| Electrical specifications | | |
| Rated operating voltage | U_e | 24 ... 250 V DC / 24 ... 230 V AC |
| Operating voltage | U_B | 20 ... 300 V DC / 20 ... 253 V AC |
| Compliance with standards and directives | | |
| Standard conformity | | |
| Standards | | EN 60947-5-2:2007 EN 60947-5-2/A1:2012 IEC 60947-5-2:2007 IEC 60947-5-2 AMD 1:2012 |
| Approvals and certificates | | |
| Protection class | | I |
| Rated insulation voltage | U_i | 230 V |
| Rated impulse withstand voltage | U_{imp} | 2.5 kV |
| Ambient conditions | | |
| Ambient temperature | | -25 ... 85 °C (-13 ... 185 °F) |
| Storage temperature | | -25 ... 85 °C (-13 ... 185 °F) |
| Mechanical specifications | | |
| Connection type | | 5-pin V95 connector (7/8"-16 UN 2A) |
| Housing material | | PA 6.6 / metal |
| Sensing face | | PA 6.6 |
| Housing base | | metal / class I equipment with ground connection |
| Degree of protection | | IP67 |

Connection



Connection Assignment



Wire colors

| | | |
|---|----|----------|
| 3 | GN | (green) |
| 4 | OR | (orange) |
| 5 | BK | (black) |

Release date: 2022-05-19 Date of issue: 2022-05-19 Filename: 70116648_eng.pdf

Refer to "General Notes Relating to Pepperl+Fuchs Product Information".

Pepperl+Fuchs Group
www.pepperl-fuchs.com

USA: +1 330 486 0001
fa-info@us.pepperl-fuchs.com

Germany: +49 621 776 1111
fa-info@de.pepperl-fuchs.com

Singapore: +65 6779 9091
fa-info@sg.pepperl-fuchs.com

Connection

Note

The sensor is designed for individual operation. A series or parallel connection of sensors is not permissible.